

feather&black

Perfect Bedtimes

Noah Highsleeper Reversible

IMPORTANT READ CAREFULLY RETAIN FOR FUTURE REFERENCE

Thank you for buying the Noah High Sleeper

- Please take a few minutes to read through these instructions before attempting to build this product
- Because of the size of this product we recommend that it is built in the room intended for use
- It is recommended that this product is assembled by two adults.
- As this product contains small parts please keep small children clear from the assembly area
- Carefully layout all the parts on a clean, flat surface and compare with the parts checklist. Save all packaging until assembly is complete to avoid accidentally discarding fittings

PRODUCT SAFETY

- Recommended Mattress Size: 190cm x 90cm. The thickness should not exceed the line marked on the upper end when assembled as a bunk
- Do not allow children to jump on the bunks. Using this furniture other than for its intended purpose could cause damage to the structure or serious injury to your child
- Be aware of the danger of young children (under 6) falling from the upper bunk
- We recommend that you periodically check and ensure that all components are in their proper position, free from damage, and that all fittings are fully tightened
- Before each usage or assembly, inspect bunk bed for damaged hardware, loose joints, missing parts or sharp edges. Do not use bunk bed if any parts are missing or broken
- Always use the ladder for entering and leaving the upper bunk
- Never attach or hang items to any part of the bunk bed that are not designed for use with the bed
- Noah HighSleeper has passed BS EN 747- 1:2012+ A1:2015 & BS EN 747-2:2012+ A1: 2015
 - a) **WARNING** "High beds and the upper bed of bunk beds are not suitable for children under six years due to the risk of injury from falls";
 - b) **WARNING** " Bunk beds and high beds can present a serious risk of injury from strangulation if not used correctly . Never attach or hang items to any part of the bunk bed that are not designed to be used with the bed, for example, but not limited to ropes, strings, cords, hooks, belts and bags";
 - c) **WARNING** "Ventilation of the room is necessary in order to keep humidity low and to prevent mould in and around the bed.";
 - d) **WARNING** "Children can become trapped between the bed and the wall, a roof pitch, the ceiling, adjoining pieces of furniture (e.g.cupboards) and the like .To avoid risk of serious injury the distance between the top safety barrier and the adjoining structure shall not exceed 75 mm or shall be more than 230 mm";
 - e) **WARNING** Do not use the bunk bed /high bed if any structural part is broken or missing;
 - f) Always follow the manufacturer's instructions;

PRODUCT CARE

- Wipe clean using a soft damp cloth followed by dry cloth
- Do not use abrasives or cleaning products which may contain ammonia or solvents
- Take Care when handling or moving the furniture. Careless handling can damage furniture, try to lift rather than drag
- TWO options of the Noah HIGHSLEEPER can be assembled (as below drawings)



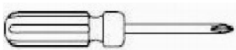
option 1



option 2

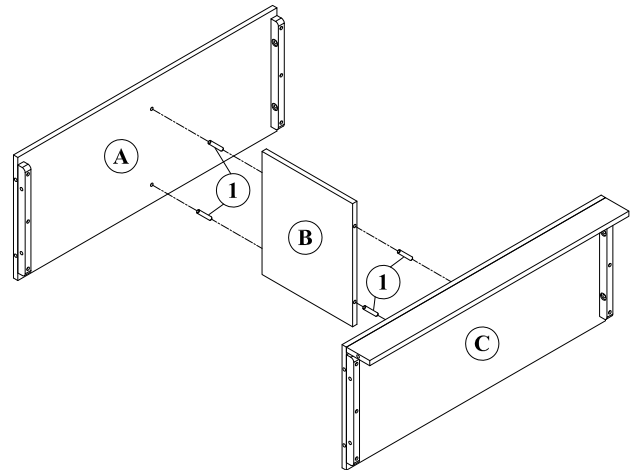
TOOLS REQUIRED

- Please use a phillips Head Screwdriver (not included) and Allen key part 13,14 (included) to assemble the Noah High Sleeper

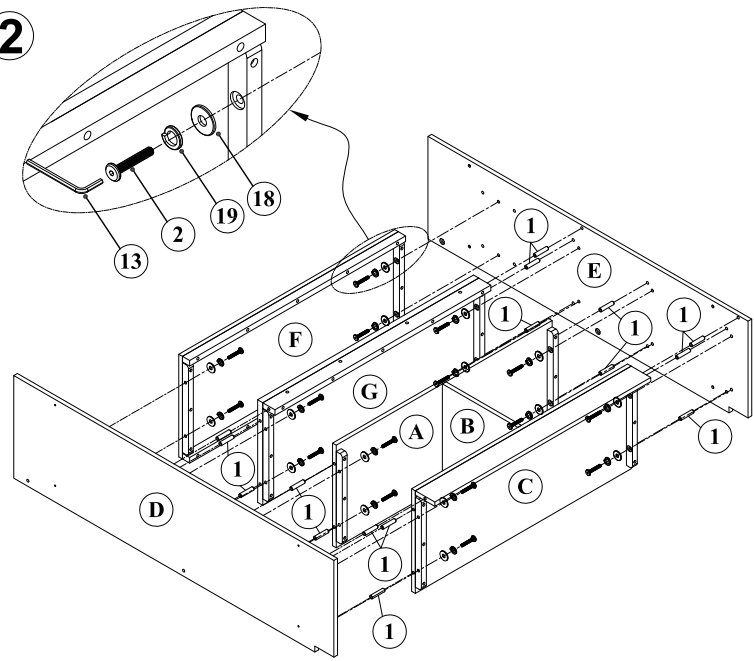


	PARTS	QTY		PARTS	QTY
A		1PC	T	Overall measurement 1882x922x18mm 	1PC
B		1PC		Individual slat measurement 922x50x18mm 	
C		1PC	U		1PC
D		1PC	1		24PCS
E		1PC	2		28PCS
F		1PC	3		9PCS
G		1PC	4		9PCS
H		1PC	5		13PCS
I		1PC	6		4PCS
J		1PC	7		14PCS
K		1PC	8		2PCS
L		1PC	9		4PCS
M		1PC	10		22PCS
N		1PC	11		10PCS
O		2PCS	12		1PC
P		1PC	13		1PC
Q		1PC	14		1PC
R		1PC	15		2PCS
S		1PC	16		4PCS
			17		13PCS
			18		28PCS
			19		28PCS

1 Option 1

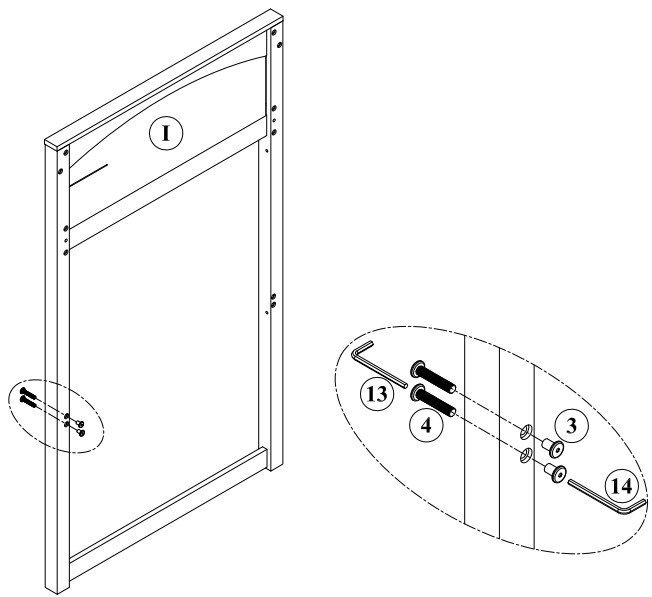


2

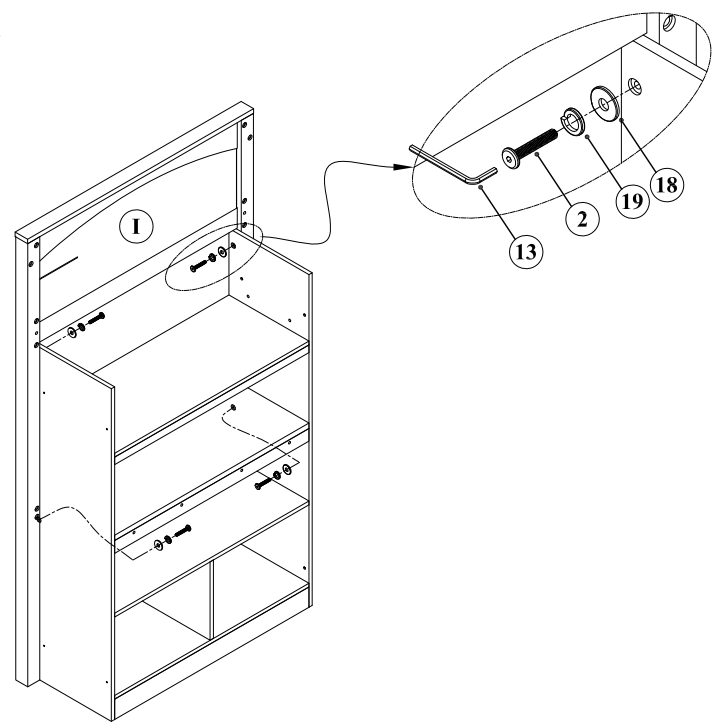


3

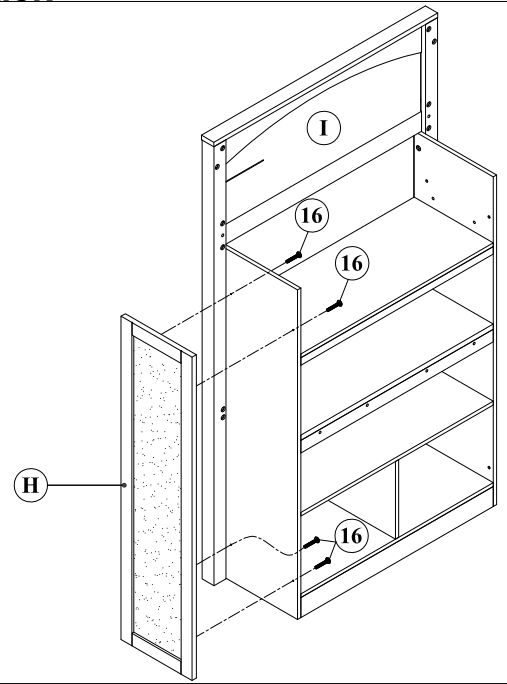
CAUTION: TO PREVENT FINGER ENTRAPMENT OF CHILDREN; IT IS IMPORTANT TO CLOSE UP OPENING HOLES WITH FITTINGS (3,4) BEFORE ASSEMBLING. USING TOOLS (13,14).



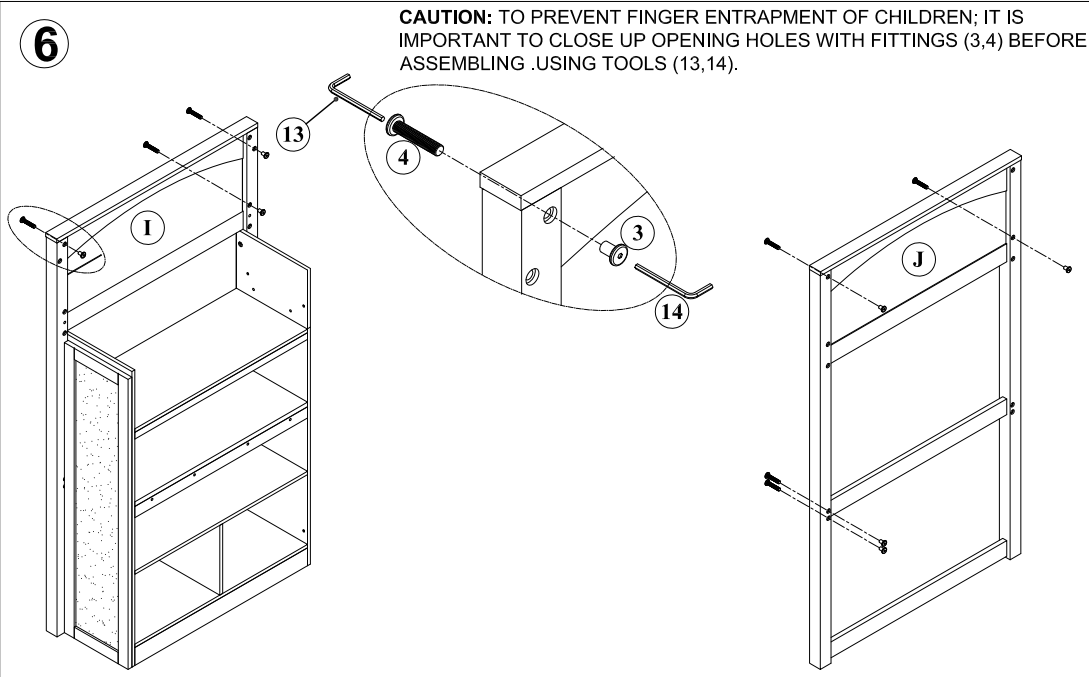
4



5

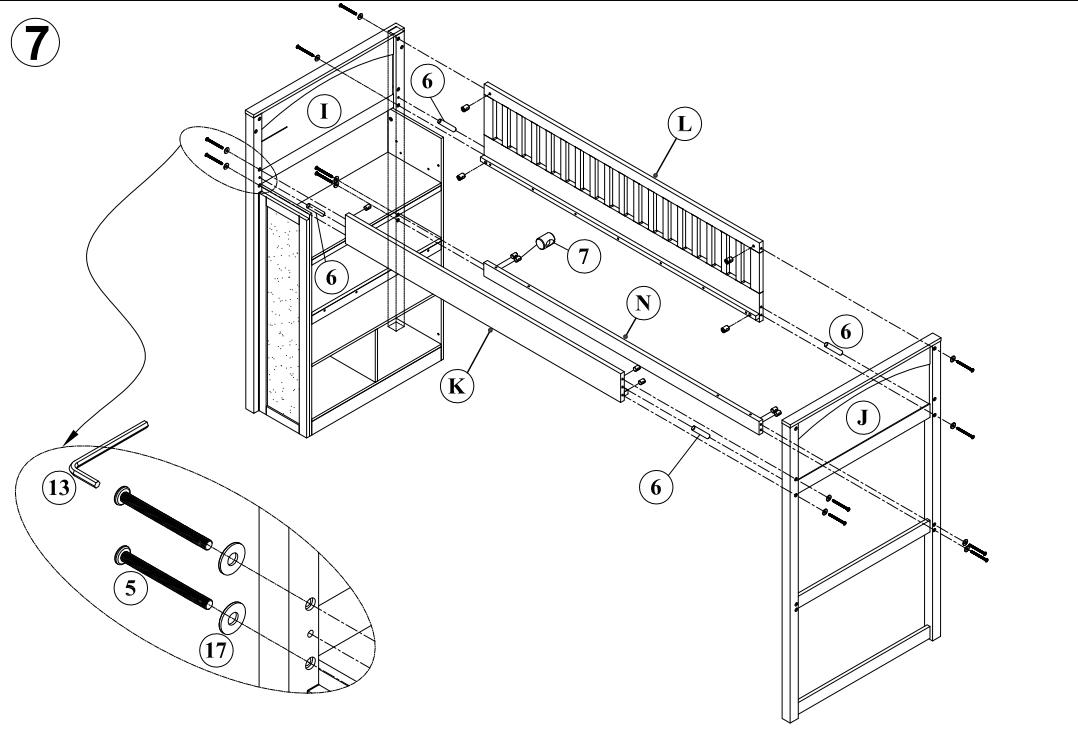


6

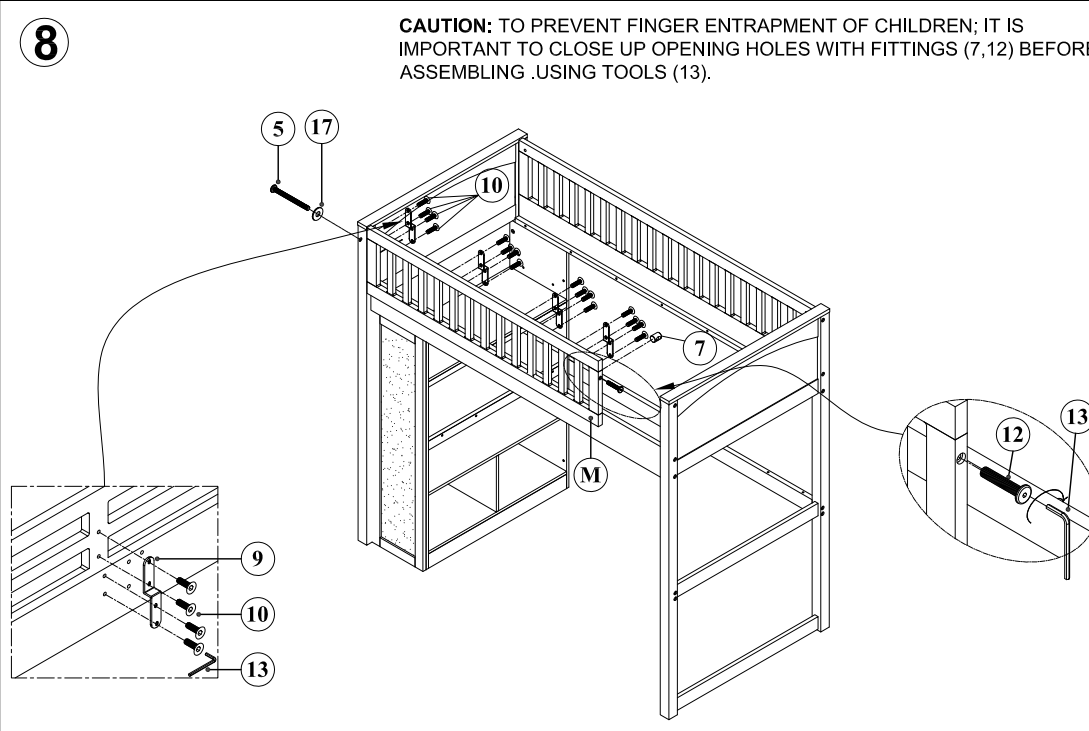


CAUTION: TO PREVENT FINGER ENTRAPMENT OF CHILDREN; IT IS IMPORTANT TO CLOSE UP OPENING HOLES WITH FITTINGS (3,4) BEFORE ASSEMBLING .USING TOOLS (13,14).

7

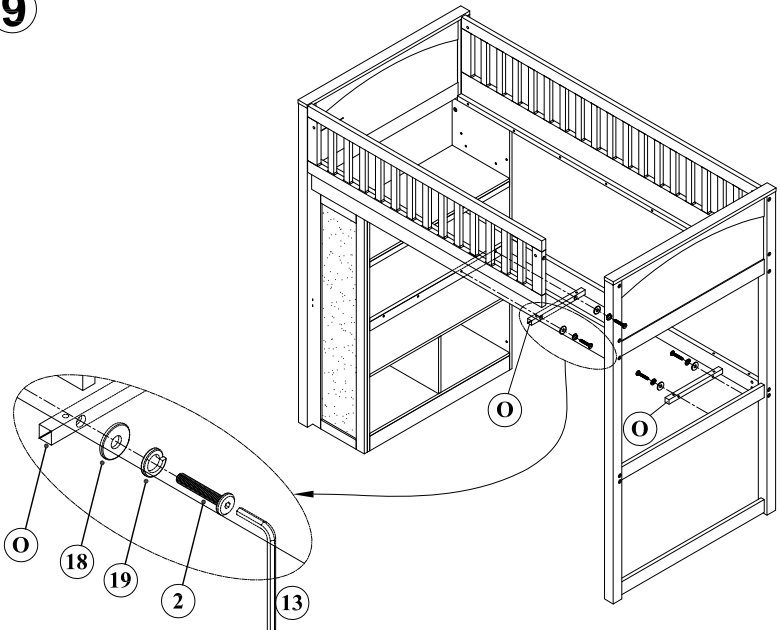


8

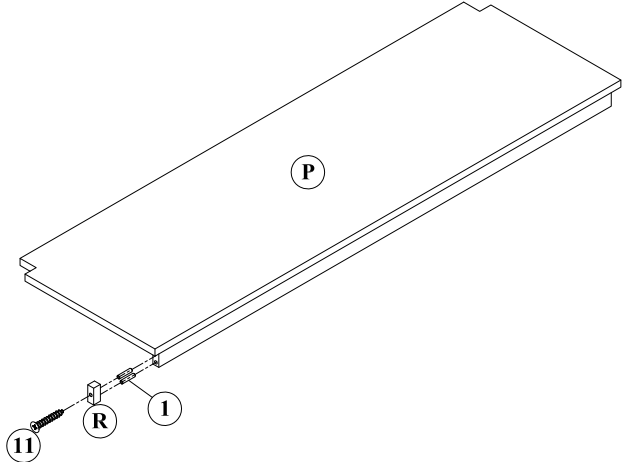


CAUTION: TO PREVENT FINGER ENTRAPMENT OF CHILDREN; IT IS IMPORTANT TO CLOSE UP OPENING HOLES WITH FITTINGS (7,12) BEFORE ASSEMBLING .USING TOOLS (13).

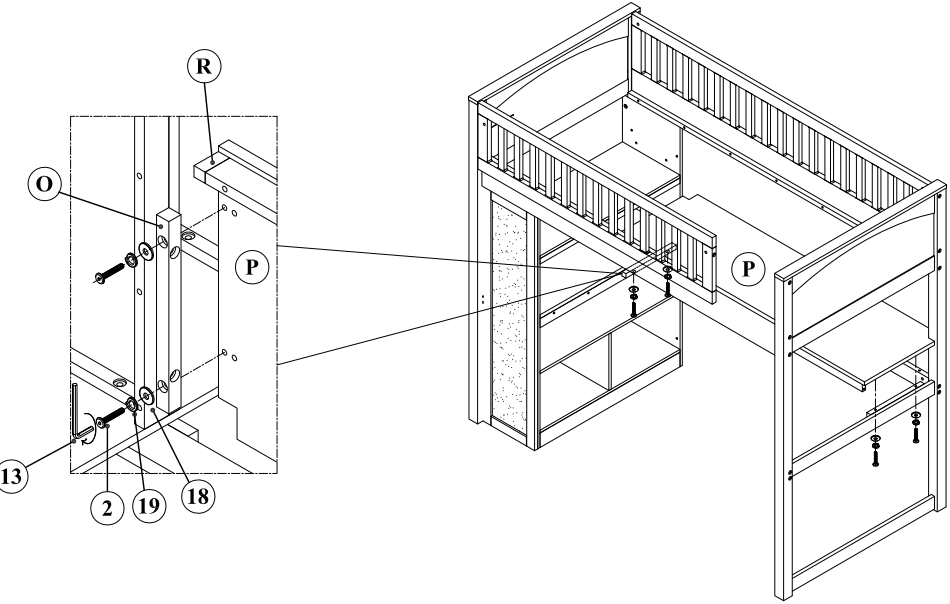
9



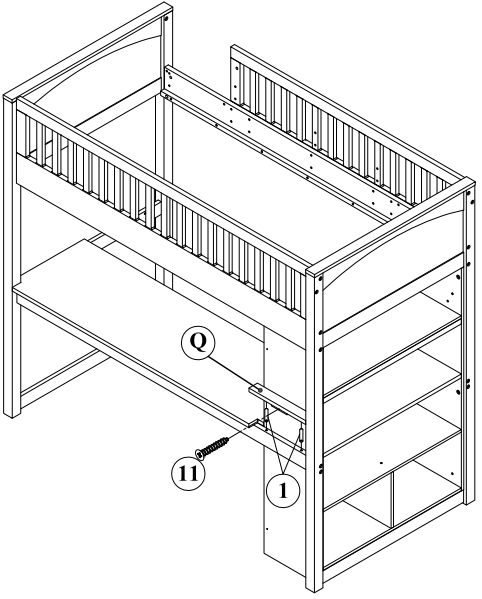
10



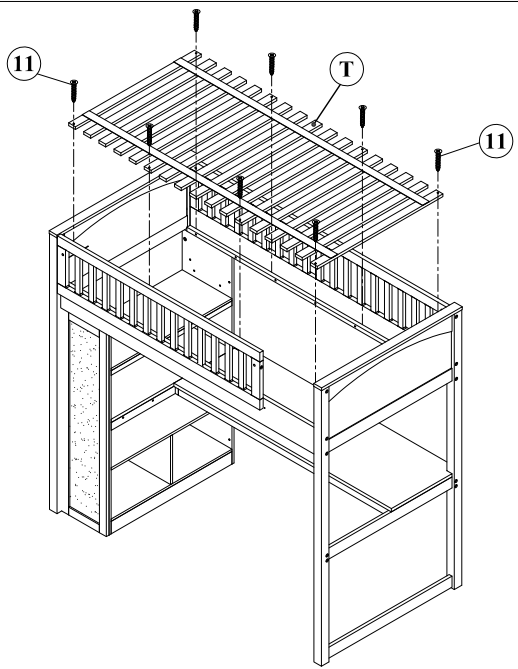
11



12

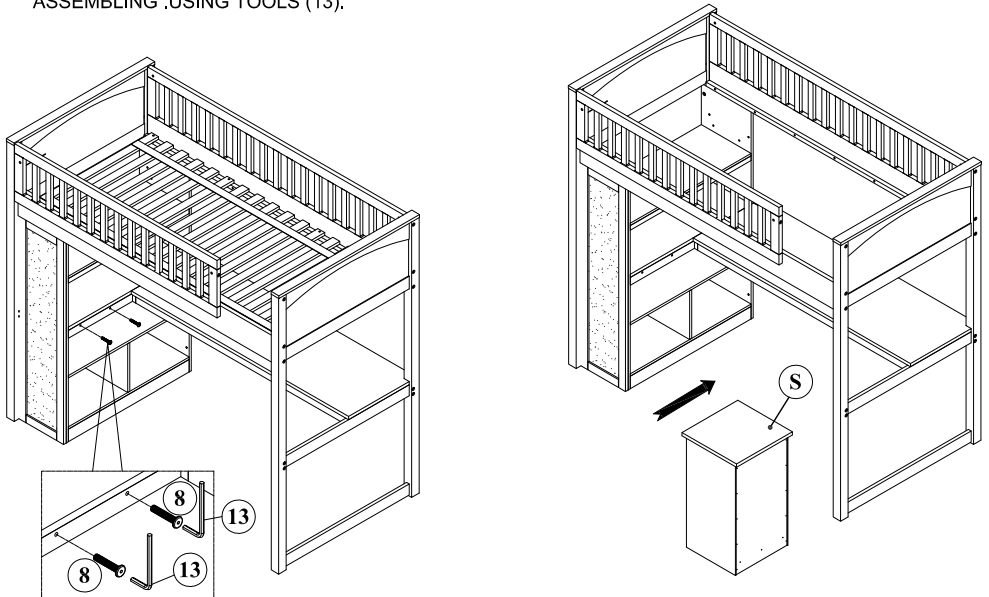


13

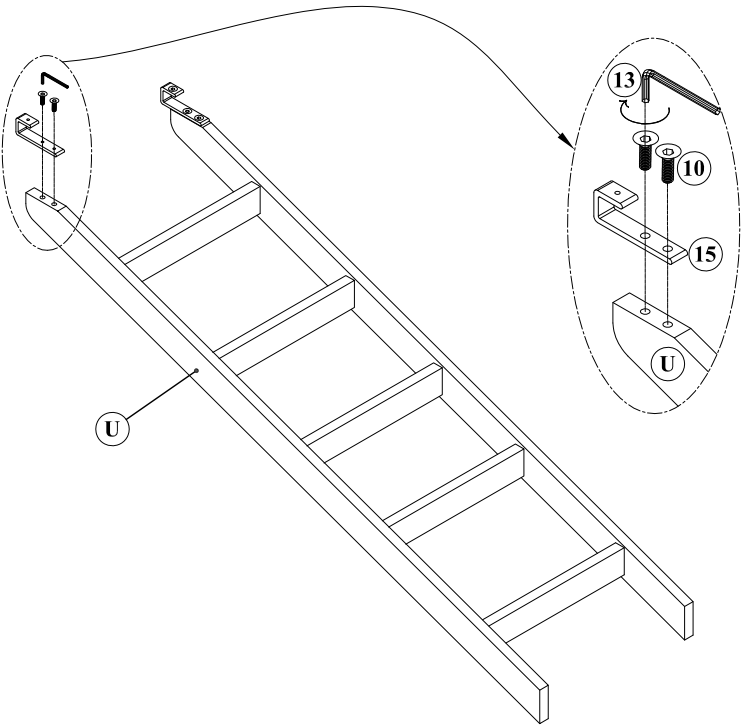


14

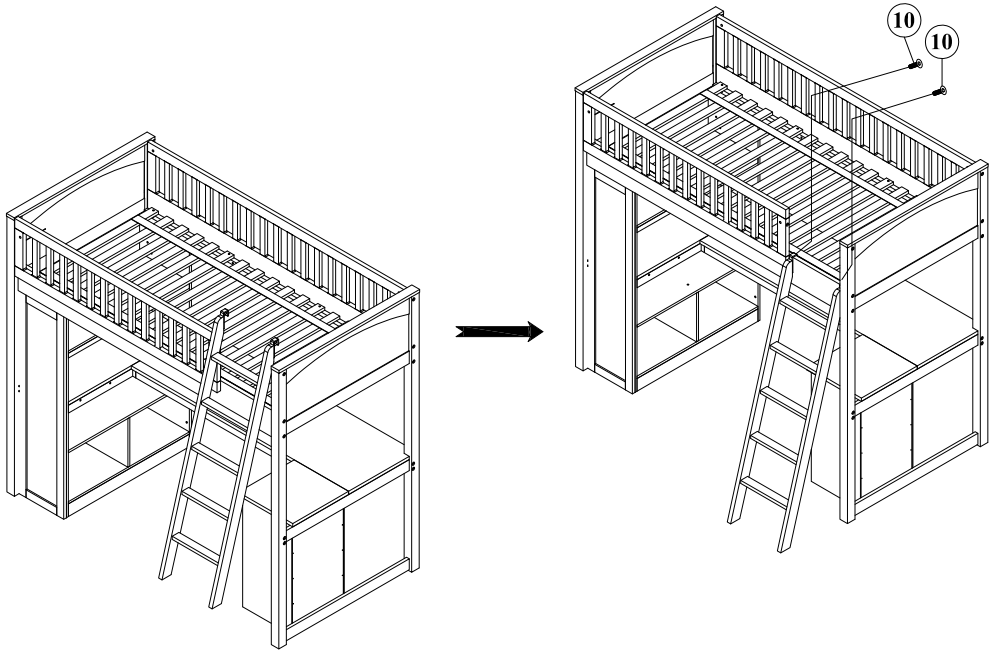
CAUTION: TO PREVENT FINGER ENTRAPMENT OF CHILDREN; IT IS IMPORTANT TO CLOSE UP OPENING HOLES WITH FITTINGS (8) BEFORE ASSEMBLING .USING TOOLS (13).



15

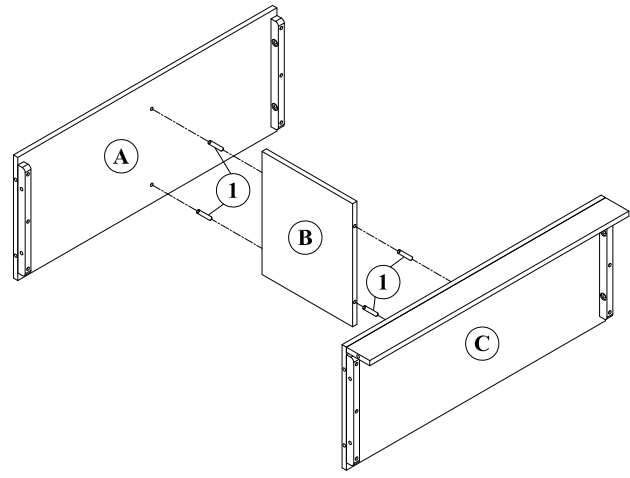


16

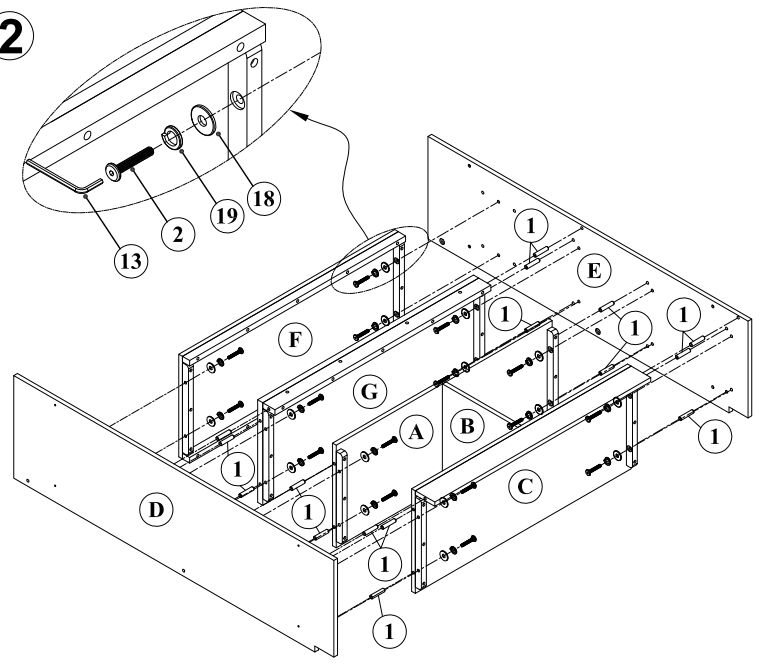


	PARTS	QTY		PARTS	QTY
A		1PC	T	Overall measurement 1882x922x18mm 	1PC
B		1PC		Individual slat measurement 922x50x18mm 	1PC
C		1PC	U		1PC
D		1PC	1		24PCS
E		1PC	2		28PCS
F		1PC	3		9PCS
G		1PC	4		9PCS
H		1PC	5		13PCS
I		1PC	6		4PCS
J		1PC	7		14PCS
K		1PC	8		2PCS
L		1PC	9		4PCS
M		1PC	10		22PCS
N		1PC	11		10PCS
O		2PCS	12		1PC
P		1PC	13		1PC
Q		1PC	14		1PC
R		1PC	15		2PCS
S		1PC	16		4PCS
			17		13PCS
			18		28PCS
			19		28PCS

1 Option 2

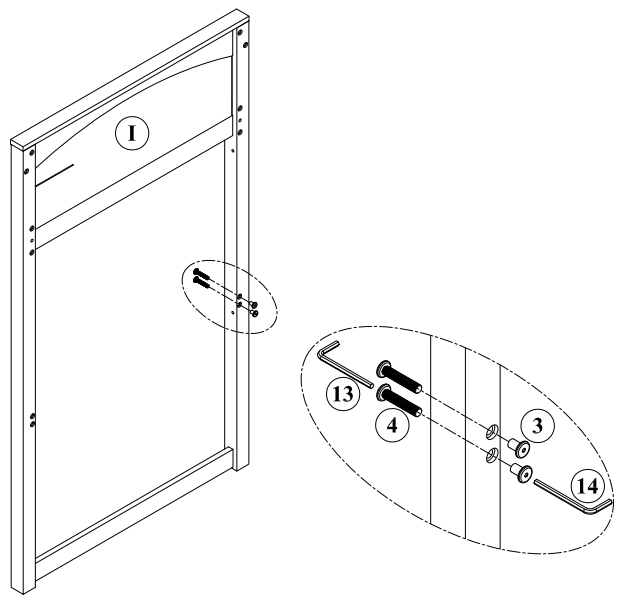


2

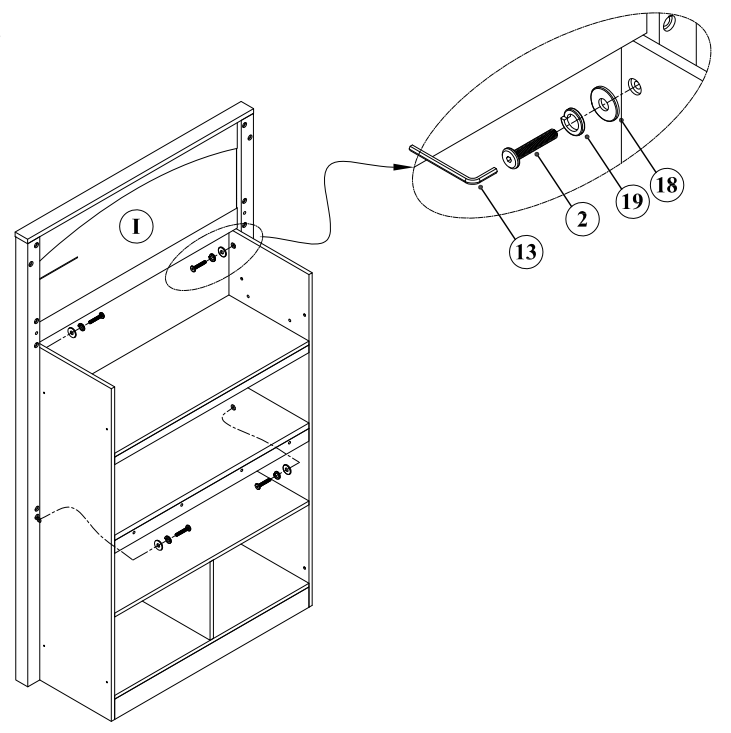


3

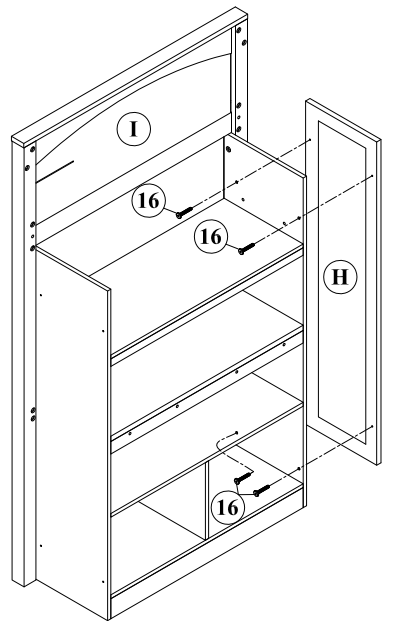
CAUTION: TO PREVENT FINGER ENTRAPMENT OF CHILDREN; IT IS IMPORTANT TO CLOSE UP OPENING HOLES WITH FITTINGS (3,4) BEFORE ASSEMBLING. USING TOOLS (13,14).



4

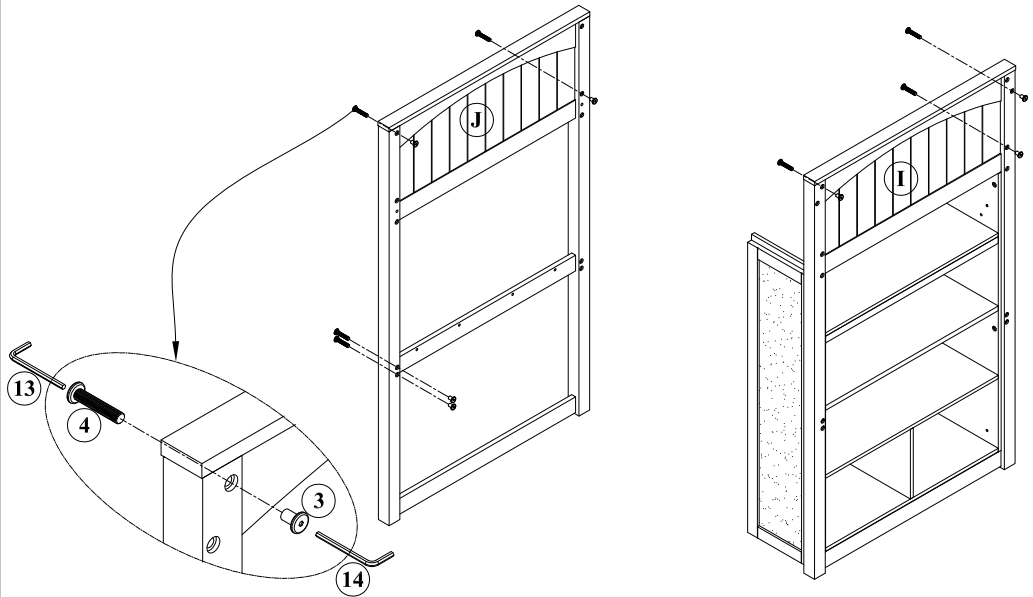


5



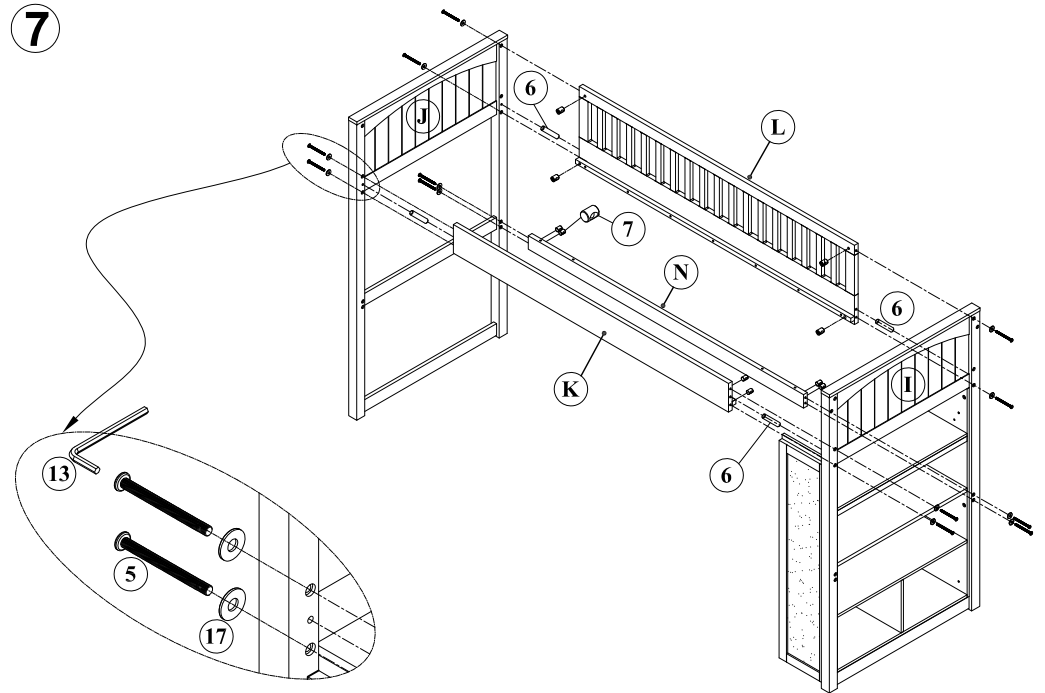
6

CAUTION: TO PREVENT FINGER ENTRAPMENT OF CHILDREN; IT IS IMPORTANT TO CLOSE UP OPENING HOLES WITH FITTINGS (3,4) BEFORE ASSEMBLING .USING TOOLS (13,14).

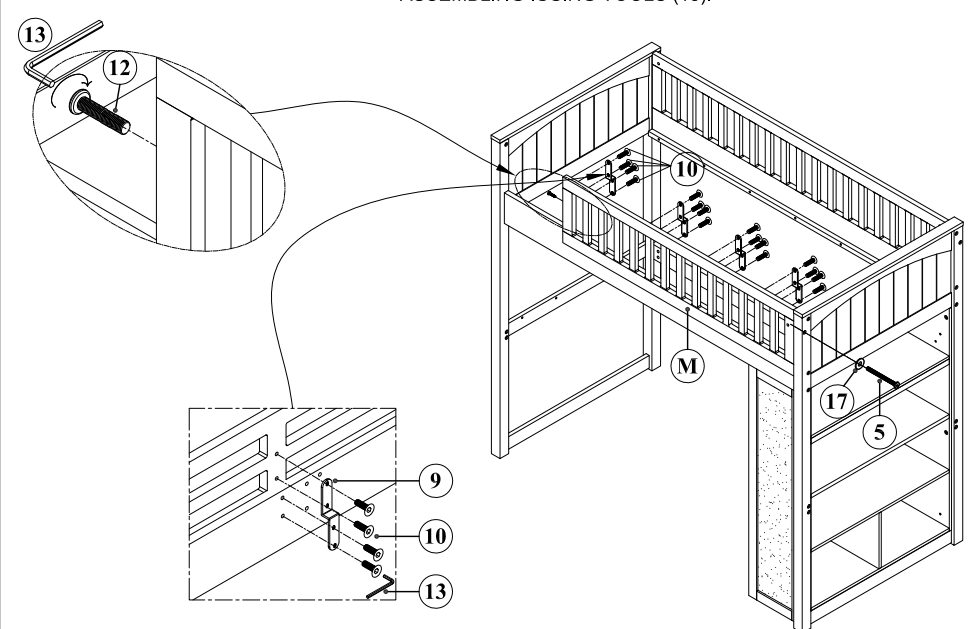


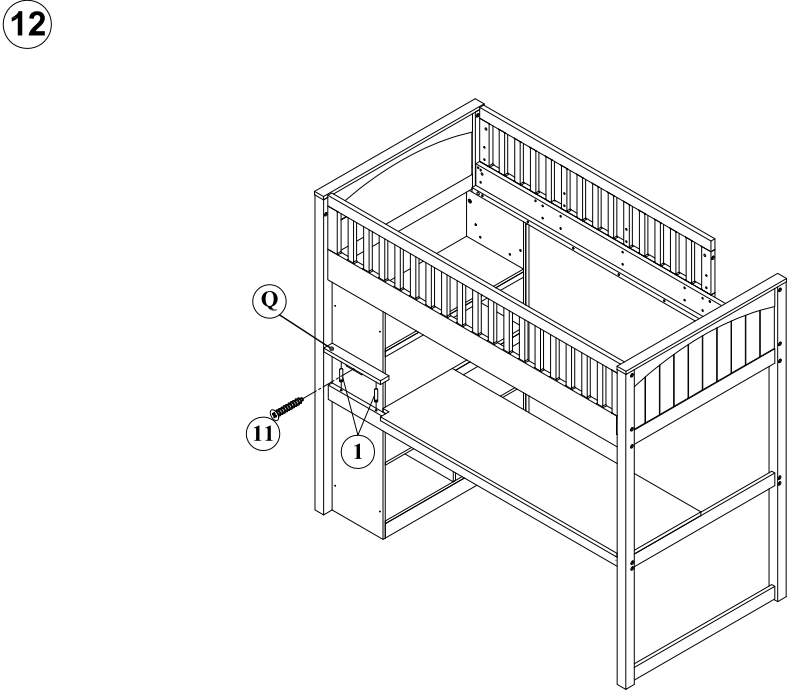
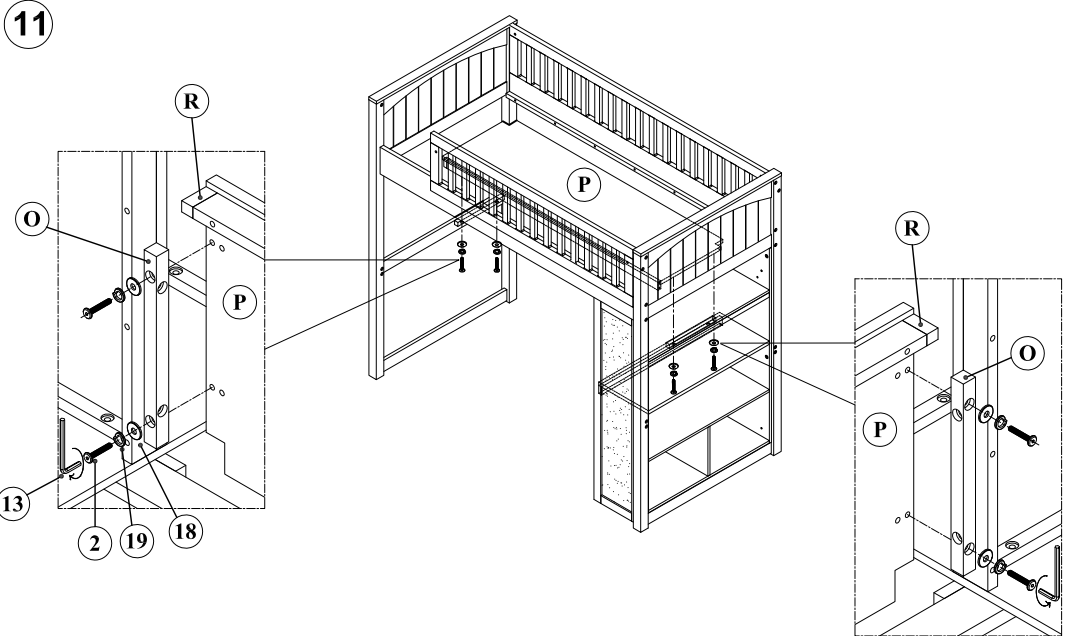
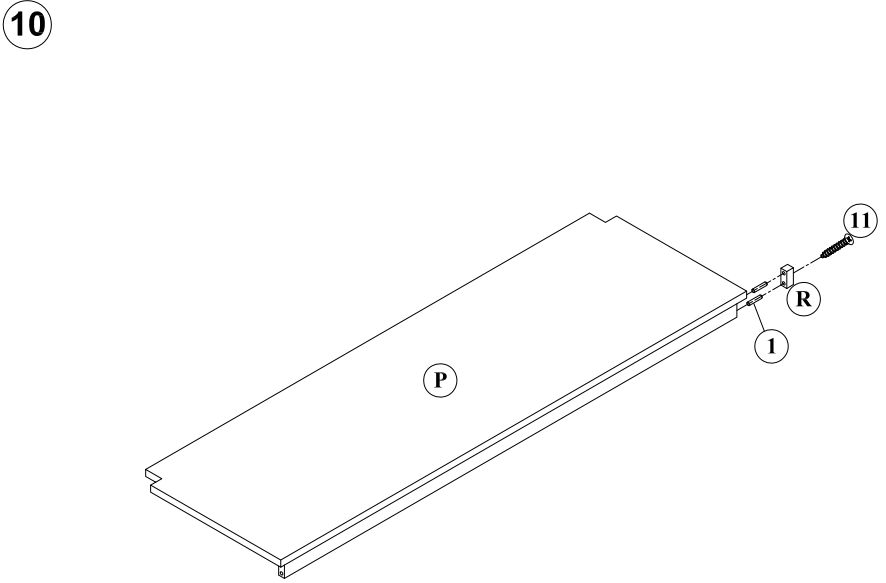
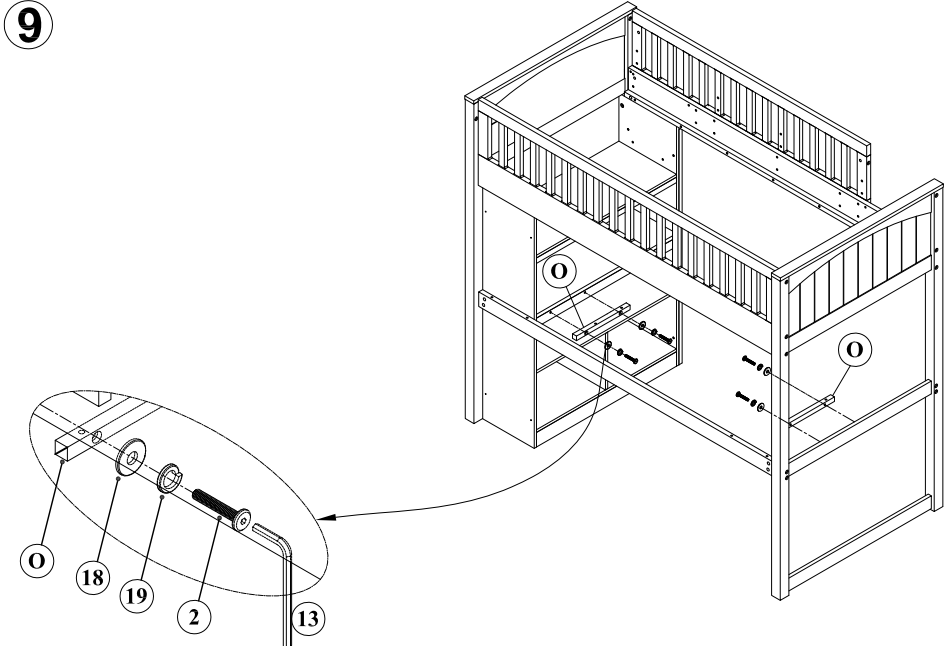
7

CAUTION: TO PREVENT FINGER ENTRAPMENT OF CHILDREN; IT IS IMPORTANT TO CLOSE UP OPENING HOLES WITH FITTINGS (7,12) BEFORE ASSEMBLING .USING TOOLS (13).

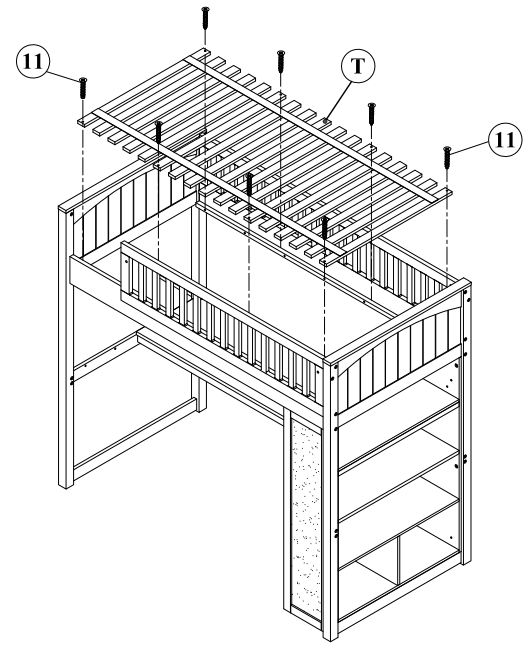


8



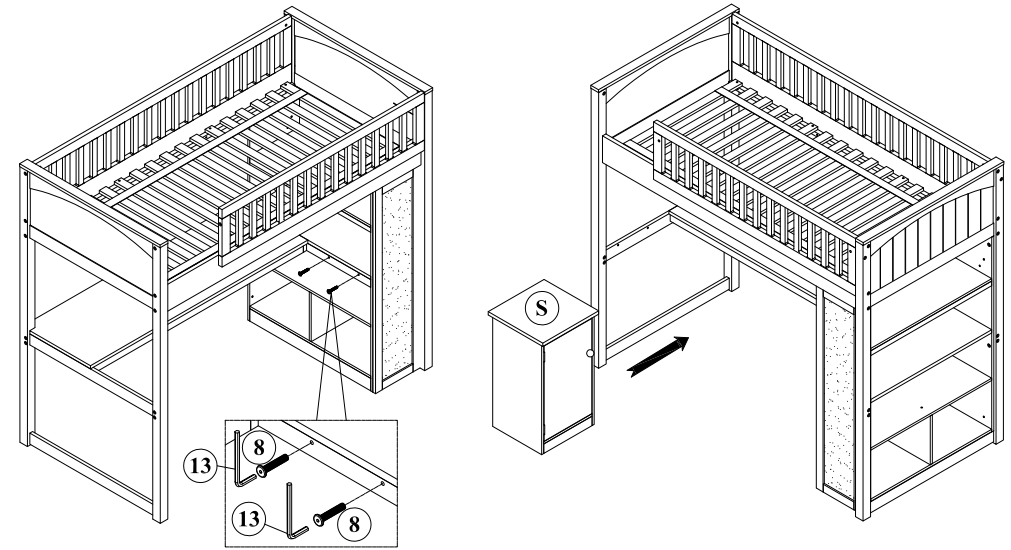


13

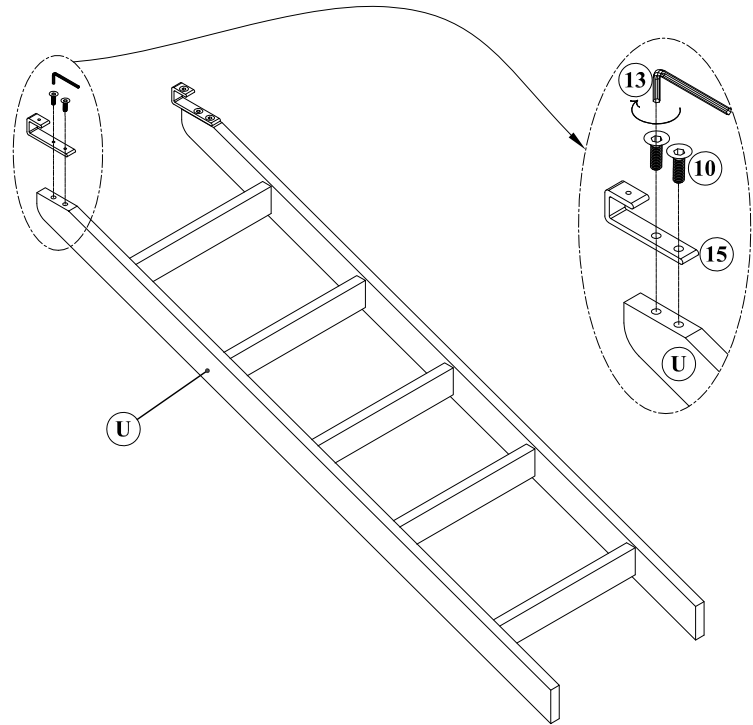


14

CAUTION: TO PREVENT FINGER ENTRAPMENT OF CHILDREN; IT IS IMPORTANT TO CLOSE UP OPENING HOLES WITH FITTINGS (8) BEFORE ASSEMBLING .USING TOOLS (13).



15



16

